

# More Convenience. More Sales.

Give your customers  
the flexibility to pay  
any way they choose

## Accept all forms of cashless payment

- ▶ Debit and Credit Cards
- ▶ Mobile, SMS and NFC Payments
- ▶ Swipe, Contact or Contactless
- ▶ Prepaid cards, closed environment



1

### Part of a complete unattended solution

- ▶ Seamless integration with telemetry, cashless clearance, monitoring, management and BI
- ▶ Secure, durable, reliable

2

### Communicate with your consumers

- ▶ Voice interaction with the consumer in the local language
- ▶ Two languages can be displayed on the VPOS

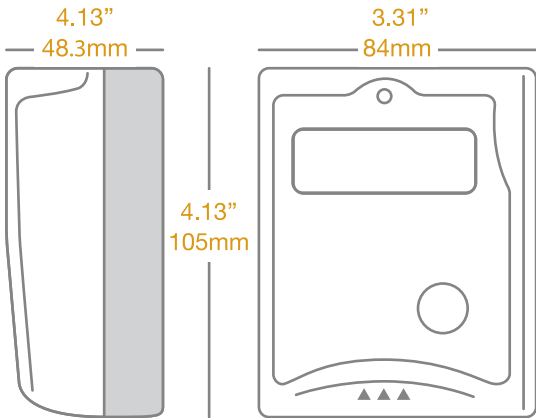
3

### Plug and play

- ▶ Easy to install
- ▶ Simple to use
- ▶ Compatible with all automated machine standards
- ▶ Remote software updates



The all-in-one contactless, contact & swipe card reader



## VPOS is part of Nayax’s complete payment solution for unattended automated machine operators.

Using Nayax, machine operators all over the world are able to accept all forms of payment, with easy installation, clearance, monitoring and management.

### Supported Payment Schemes

Contact Card: EMV Level 1 + Level 2 - Certified
Contactless: EMV Level 1 - Certified
Contactless: EMV Level 2:
Visa PayWave MSD + qVSDC
MasterCard PayPass Mag Stripe
Magnetic Stripe Card - ISO7811, Track 1 + Track 2
Other Cards Supported: NFC, MIFARE, HID-iClass
Support of Payment Applications - Global and Local Environment

### Technical Information

Interface communication - RS232 up to 115,200 kbps
2 X 16 Character LCD display + 4 LEDs + Buzzer + Speaker
Transaction start/end button
Power Supply: 8 Volt DC - 16 Volt DC
Security - Support of DES, 3DES, AES, RSA, SHA1 algorithms
On-board SAM: EMV/HID support
RF contactless Interface: Frequency - 13.56 MHz, MIFARE, NFC, HID

### Physical Dimensions

H	4.13"	105mm
W	3.31"	84mm
D	1.9"	48.3mm
Weight	8.11 ounces	230 grams

### Regulatory Compliance

EMVco Level 1 + Level 2
CE + FCC + RoHS

### Operating Conditions

Temperature	-30°C - 50°C	-22°F - 122°F
Humidity	5% - 95% (non-condensing)	

### Storage Conditions

Temperature	-40°C - 60°C	-40°F - 140°F
Humidity	5% - 95% (non-condensing)	

### Standards

ISO 7816 Contact Smart Card, approved by EMVco
ISO 14443 Type A and B, approved by EMVco
ISO 15693

**Get Nayax for greater revenue, reduced expenses and higher profits.**

**Contact us today to learn more.**

**Distributed By:**  
 Electromech ECS Limited, Unit 3 Admiralty Way, Camberley, Surrey, GU15 3DT  
**Contact** Kam Dharwar | **Mobile** +44 (0) 7753 228 041 | **Office** +44 (0) 1276 38569  
 kdharwar@electromech.co.uk